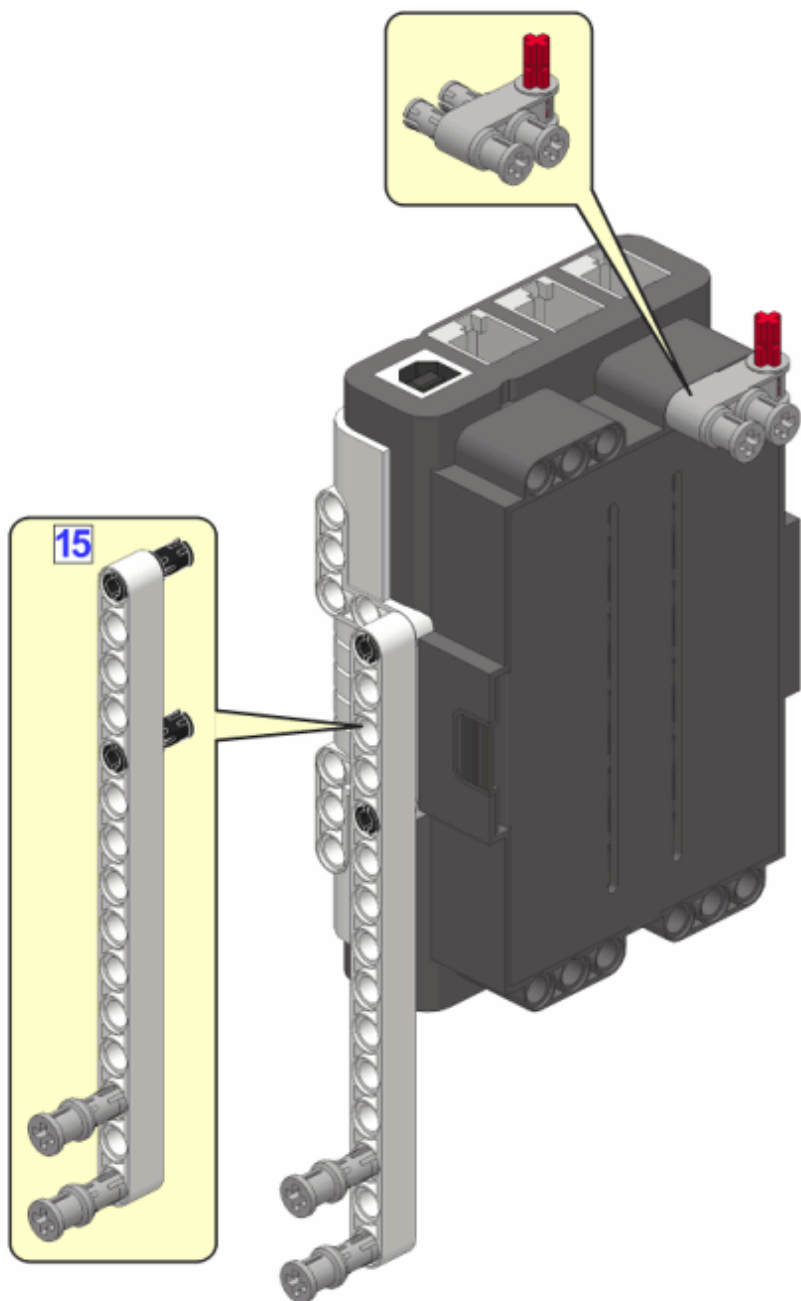
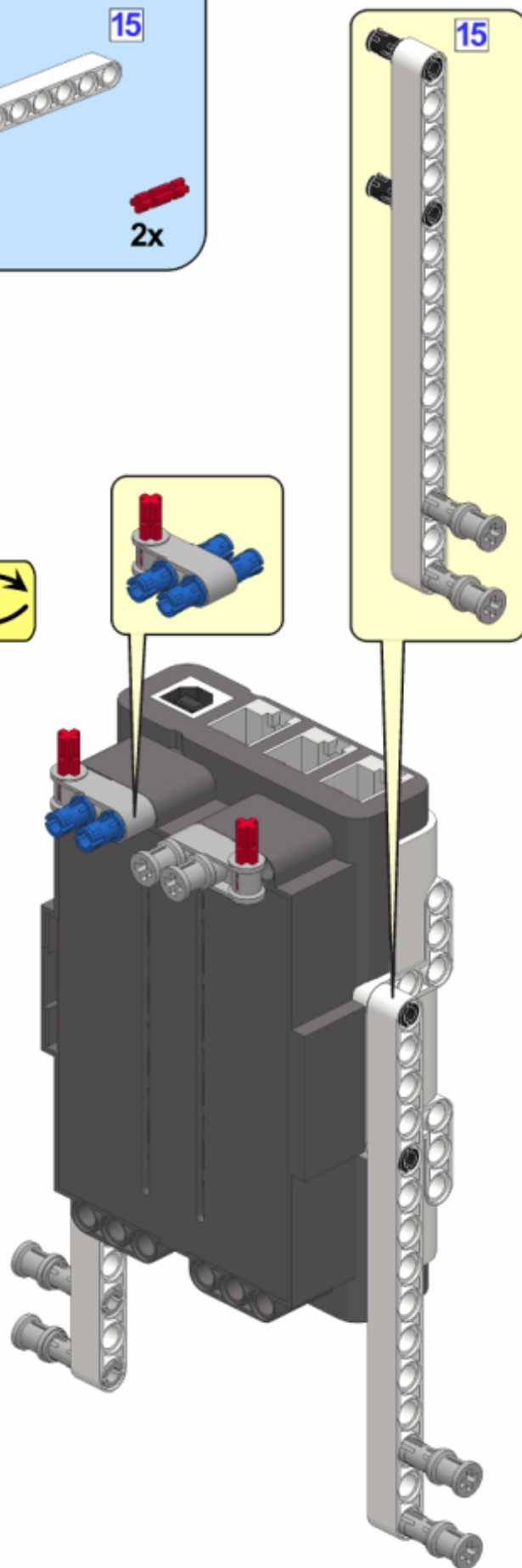


1



2



Medium / 35 cm



2x

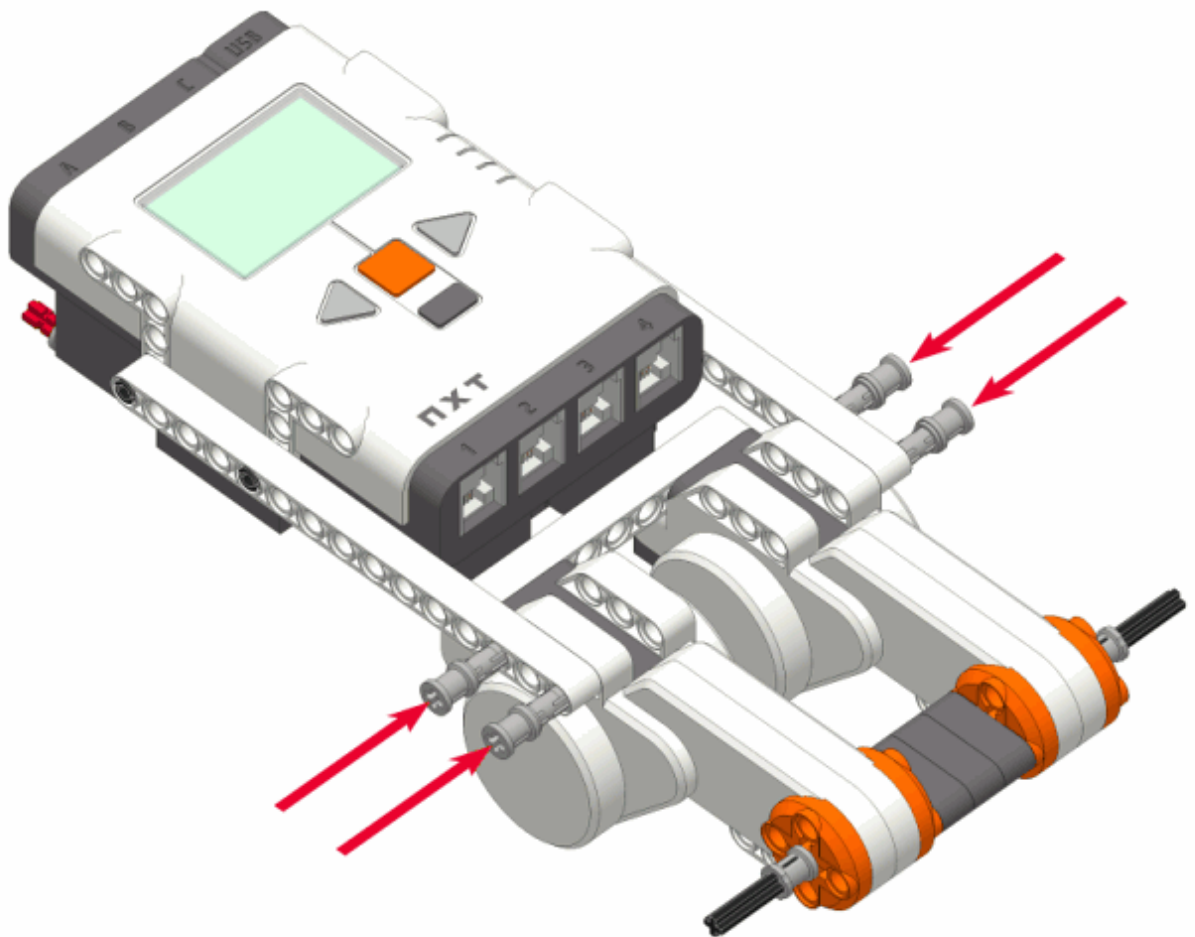
Attach medium sized cables to the motors.

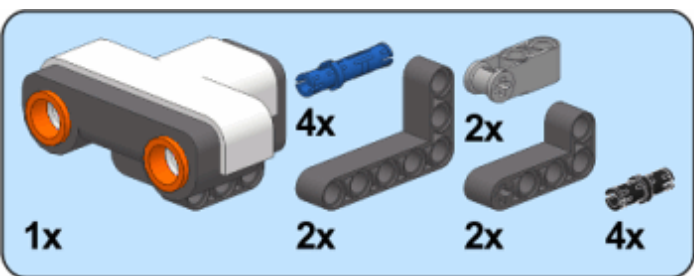
1



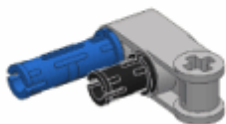
Do not attach the cables to the NXT brick yet.

2





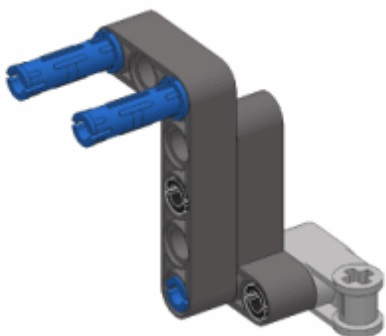
1



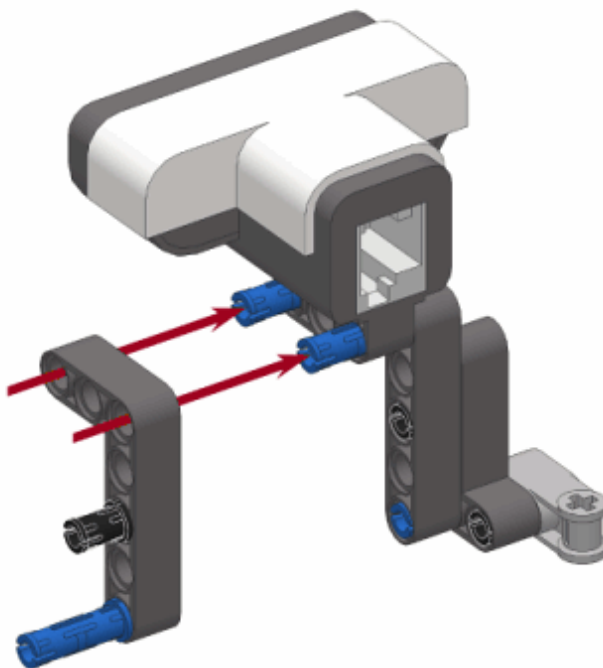
2



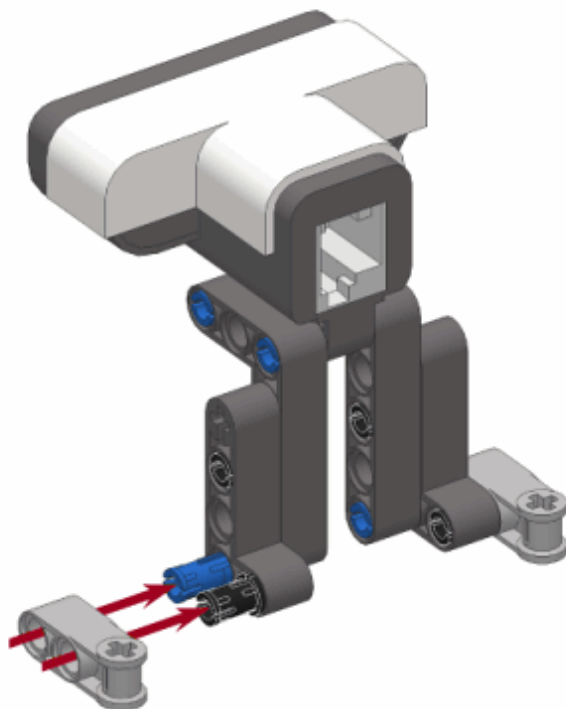
3

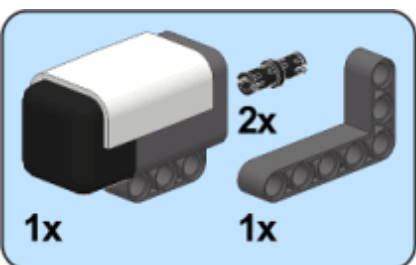


4

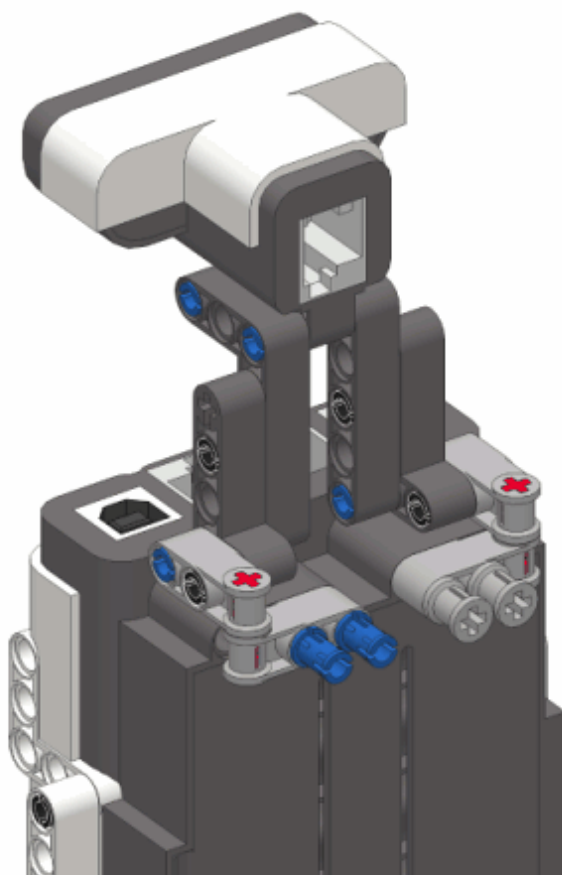


5

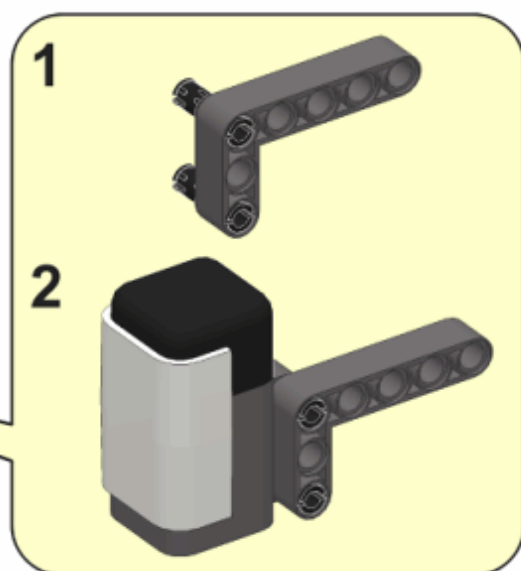
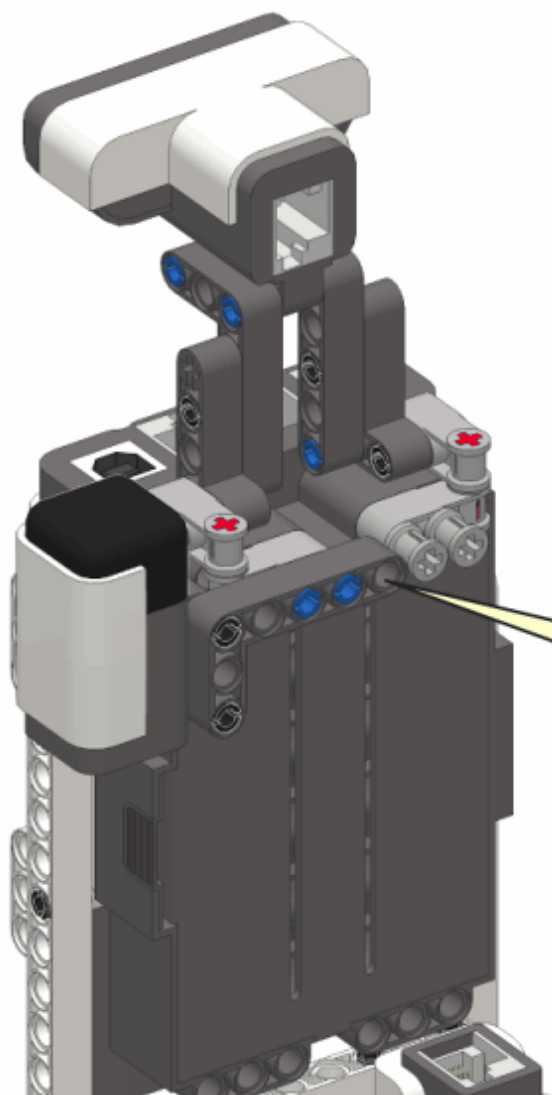




3



4



Medium / 35 cm

Short / 20 cm

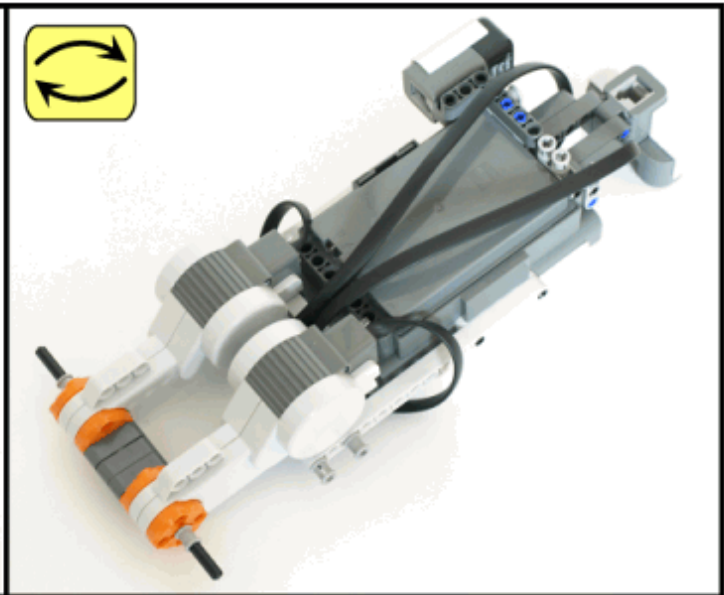
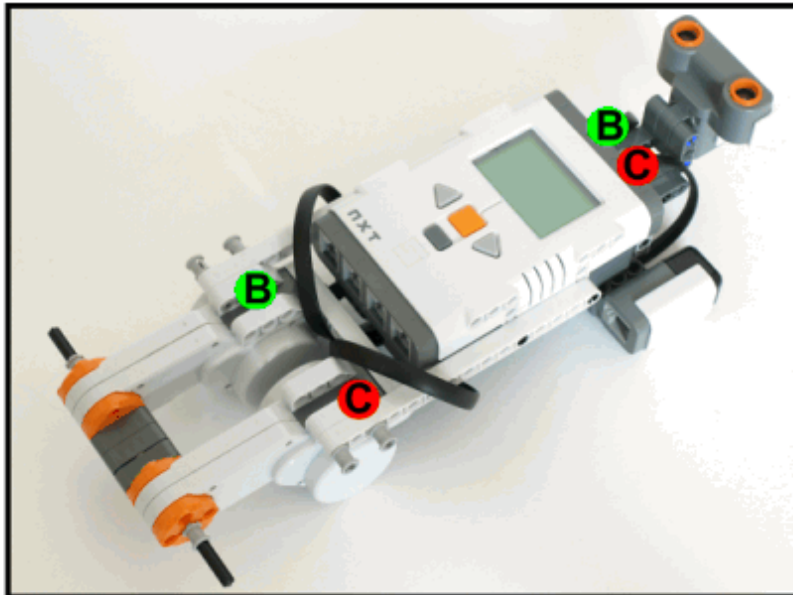


1x 4

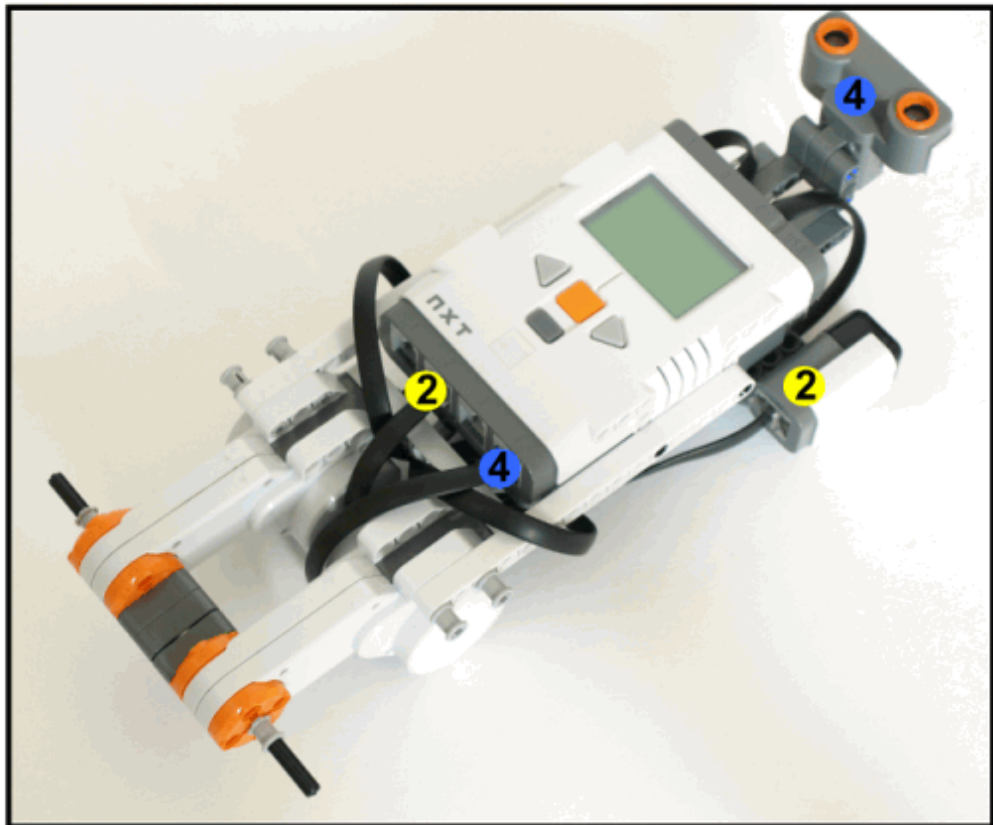


1x 2

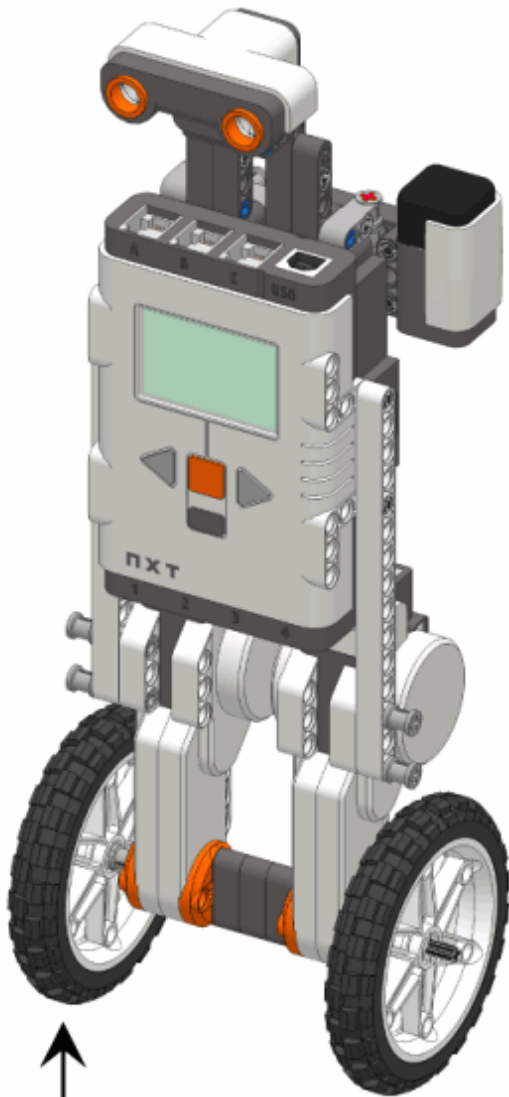
5



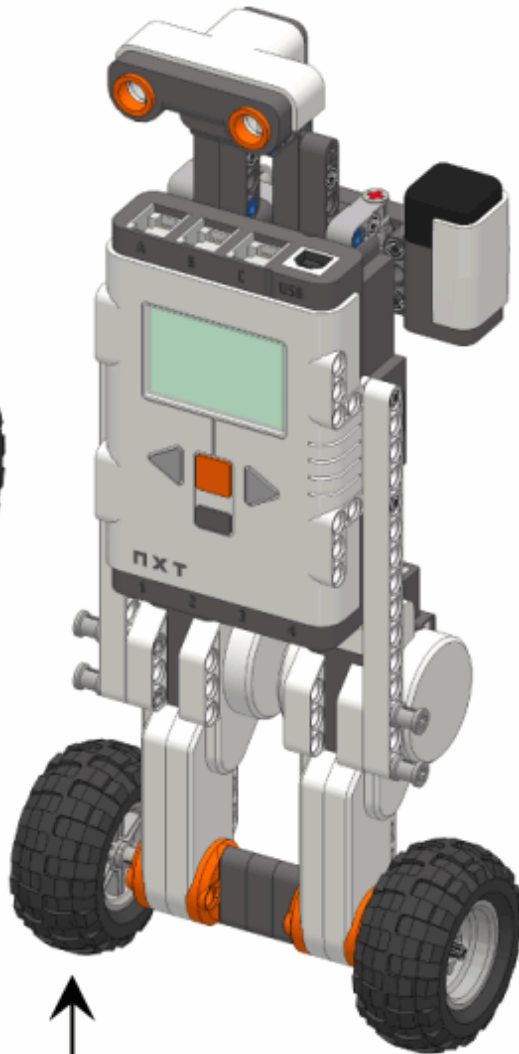
6



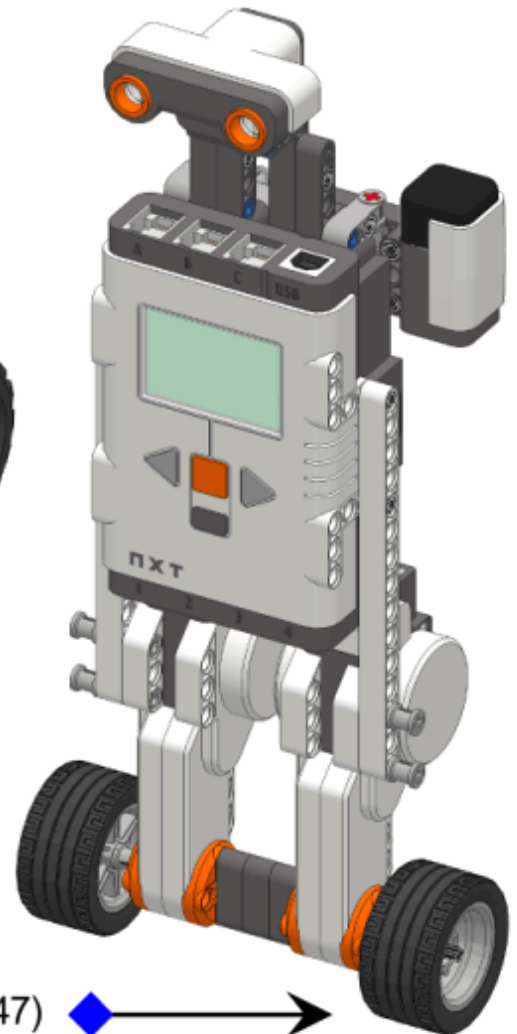
Now attach the wheels to your robot.
Each of the wheels shown below will work well.



'RCX/Motorcycle' wheels



'NXT 1.0' wheels (#8527)



'NXT 2.0' wheels (#8547)